



# cs&s filtration

serving your industry with wet and dry filtration products for over 35 years

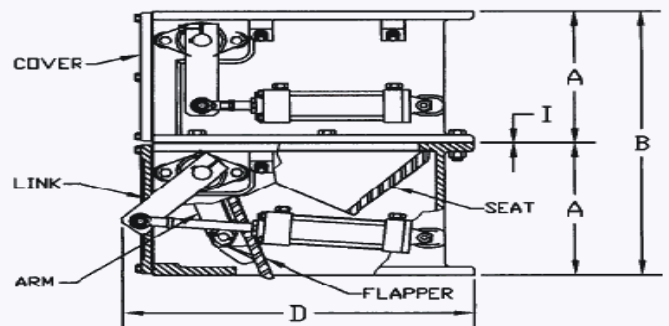
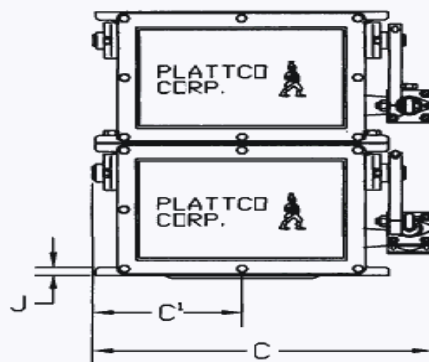
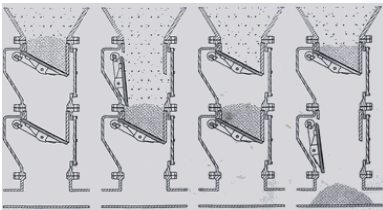
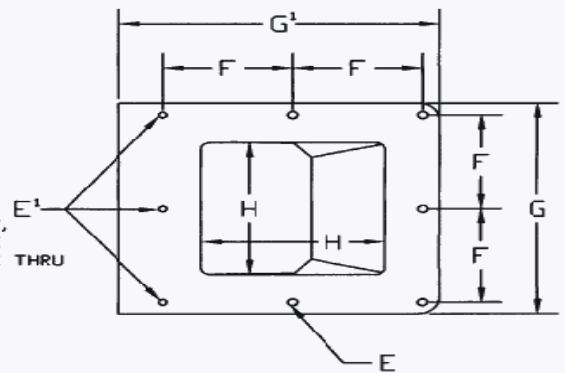


VALVE MODEL #	A	B	C	C <sup>1</sup>	D	E	E <sup>1</sup>	F	G	G <sup>1</sup>	H	I	J
PC-0622	7.00	14.86	14.00	6.00	14.25	.562	1/2-13	4.75	11.00	12.50	6.00	1/16	.50
PC-0822	8.00	16.06	15.50	7.06	15.75	.562	1/2-13	5.87	13.50	14.50	8.00	1/16	.50
PC-1022	10.00	20.86	18.75	8.38	19.25	.562	1/2-13	7.13	16.00	17.50	10.00	1/16	.63
PC-1222	12.00	24.06	21.63	10.00	23.00	.562	1/2-13	8.87	20.00	20.75	12.00	1/16	.63

VALVE MODEL #	CAPACITY
PC-0622	26 (FT <sup>3</sup> /HR)
PC-0822	47 (FT <sup>3</sup> /HR)
PC-1022	70 (FT <sup>3</sup> /HR)
PC-1222	98 (FT <sup>3</sup> /HR)

CUBIC FT./HR. @ 6 CYCLES/MINUTE

TAPPED HOLES IN TOP FLANGE 3 PLACES ONLY, BOTTOM FLANGE ALL HOLES ARE THRU



MODEL PC SHORT FLAP VALVE AIR OPERATED

20998-A

Visit our extensive on-line product and application library at:  
[www.cssfiltration.com](http://www.cssfiltration.com)

2901 Long Street • P.O. Box 2400 • Chattanooga, TN 37409

800.223.8573 • 423.756.7067 • 423.266.3242 fax